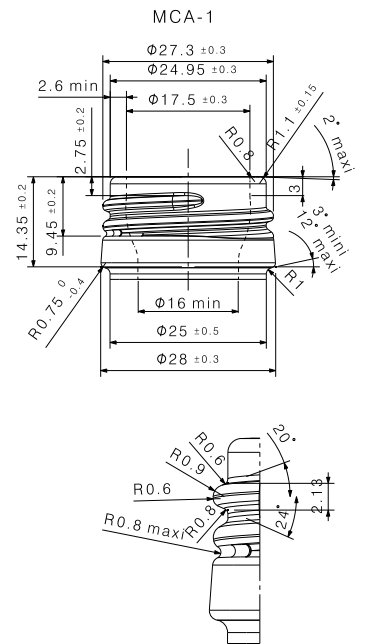
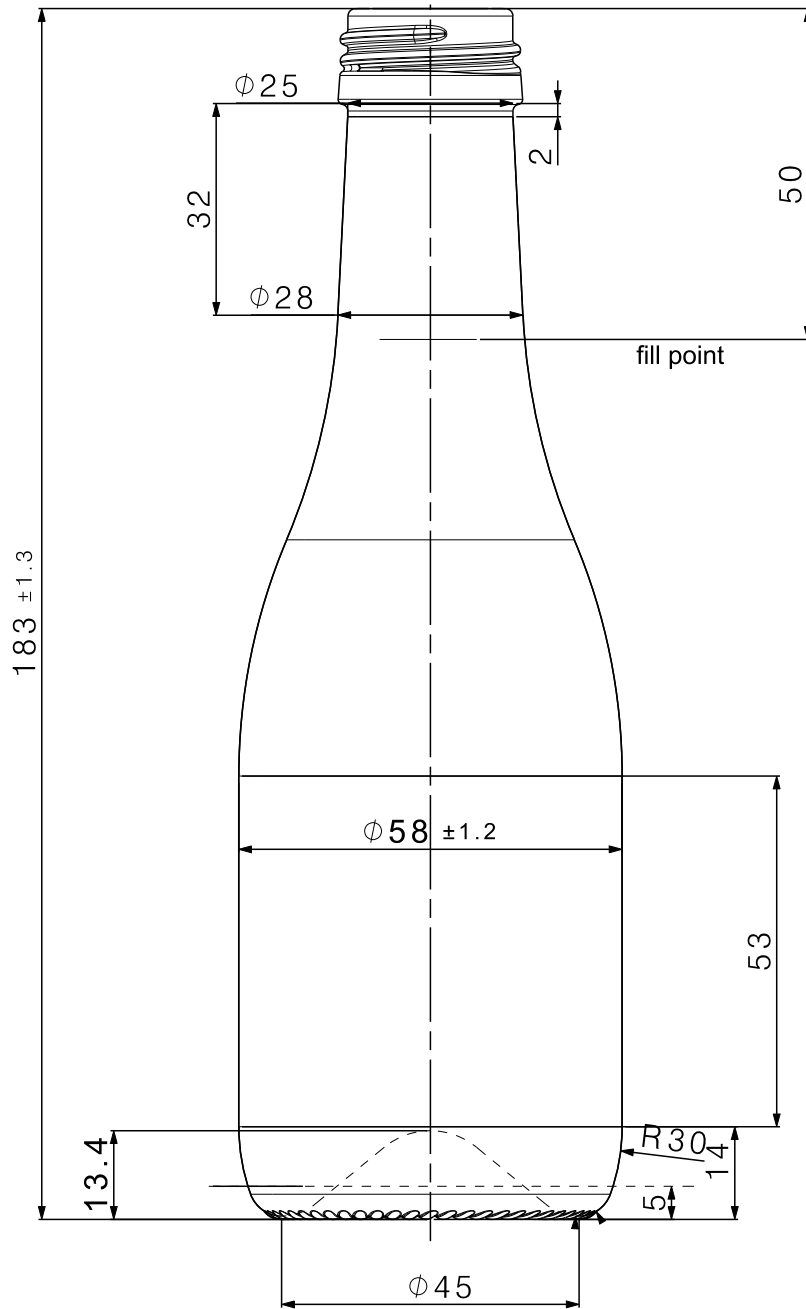


CHAMPAGNE

0.200



KMC
GLASS



- ⌘ Champagne 0.200

- ⌘ Weight - 219 g

- ⌘ Filling CAP - 200 ml

- ⌘ Color - Olive Green

- ⌘ Diameter - 58 ± 1.2

- ⌘ Entrance bore diameter - 17.5

www.kmc.glass
sales@kmc.glass